

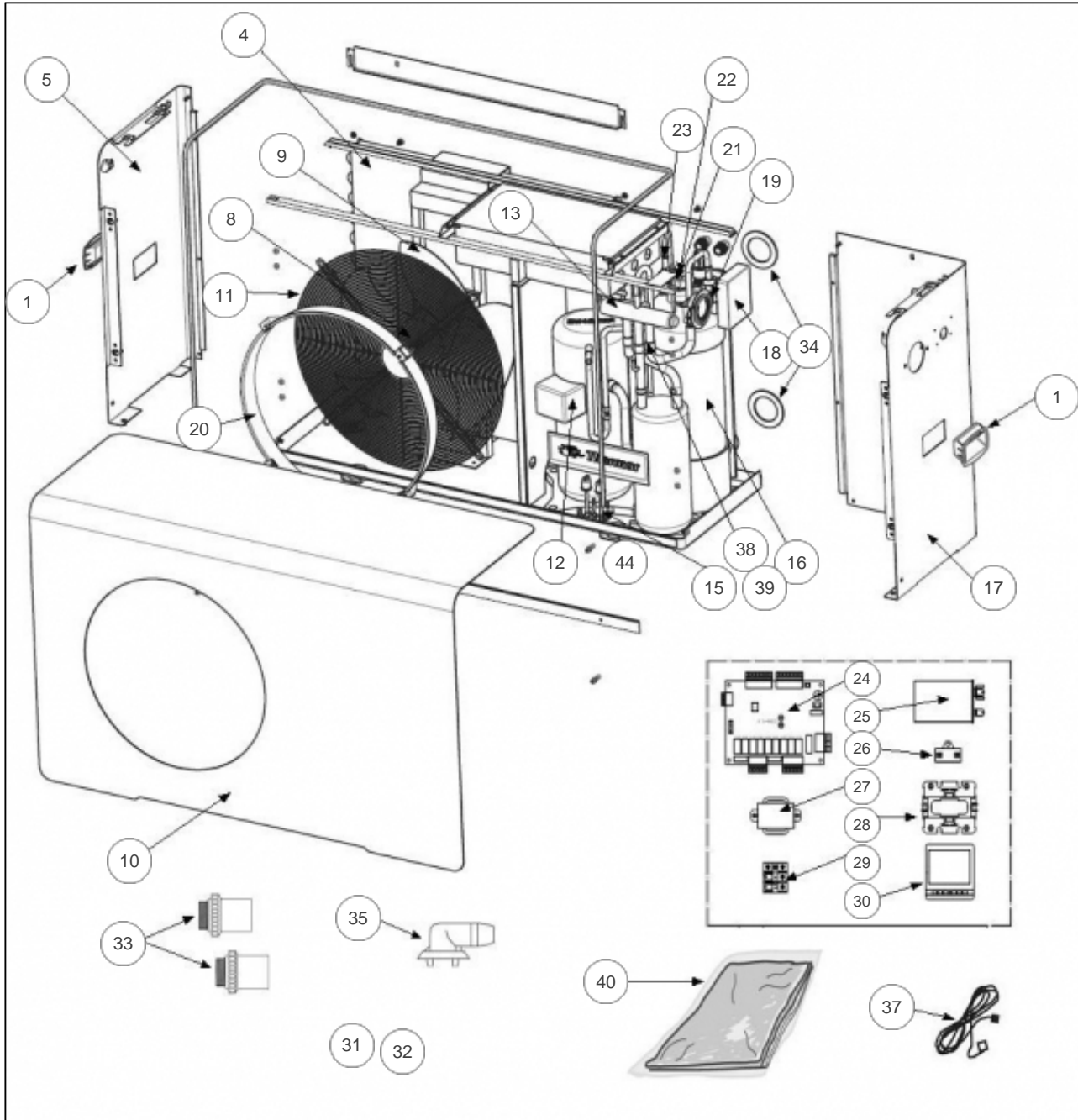
AUSTRIA EMAIL

Products

Reference	Family name	Lettre
631081	AE AEROMAX PISCINE 2 14KW	A

Parameters

Reference	Power (kW)	Lettre
631081	14	A



Références

Position	Description	A
1	HANDLE	022773
4	EVAPORATOR	029456
5	LEFT PANEL	022770
8	FAN MOTOR	029467
9	FAN BLADE	029470
10	FRONT PANEL	022772
11	FAN GUARD	022636
12	COMPRESSOR	029460
13	4-WAY-VALVE	029472
16	TI HEAT EXCHANGER	029464
17	RIGHT PANEL	022768
18	PLASTIC COVER FOR CONTROLLER	022633
19	MANOMETER	029474
20	FAN NOZZLE	022775
21	FLOW SWITCH	026228
22	ELECTRONIC EXPANSION VALVE	029648
23	SHRAEDER VALVE	029475
24	ELECTRONIC CARD	029644
25	COMPRESSOR CAPACITOR	026232
26	FAN CAPACITOR	026234
27	TRANSFORMER	026235
28	AC CONTACTOR	026236
29	POWER TERMINAL BLOCK	026238
30	DIGITAL COMMAND HMI	029645
31	AMBIENT SENSOR	026240
32	WATER SENSOR	026241
33	WATER CONNECTION ADAPTATOR	022639
34	SILICON RING	022640
35	WATER DRAINAGE PLATIC HEAD	022641
37	10M EXTENSIONAL CABLE FOR CONTROLLER	026242
38	HIGHT PRESSURE SWITCH	026243
39	LOW PRESSURE SWITCH	026244
40	WINTER PROTECTIVE	022943
44	INSTALLLATION RUBBER	029903